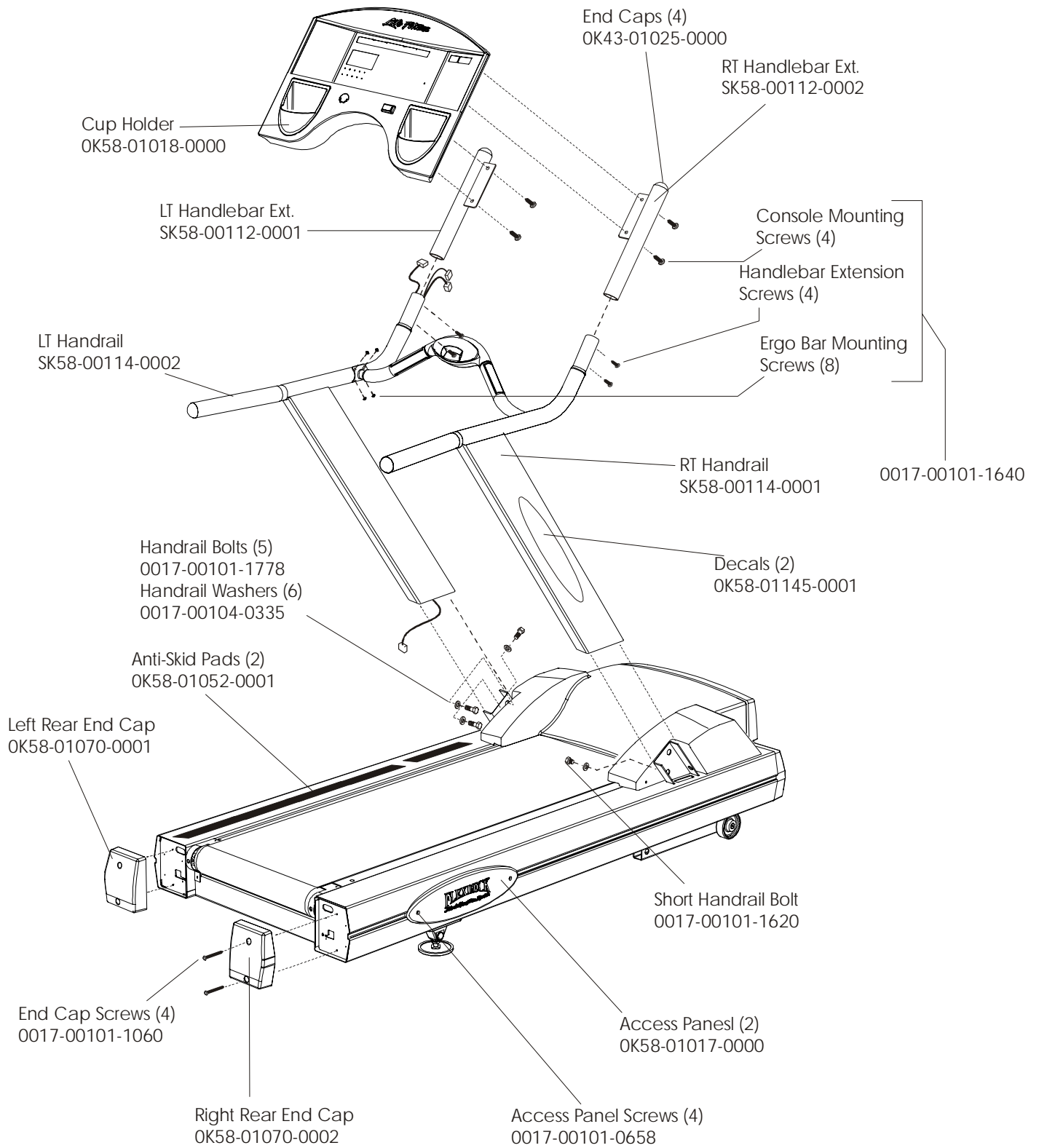


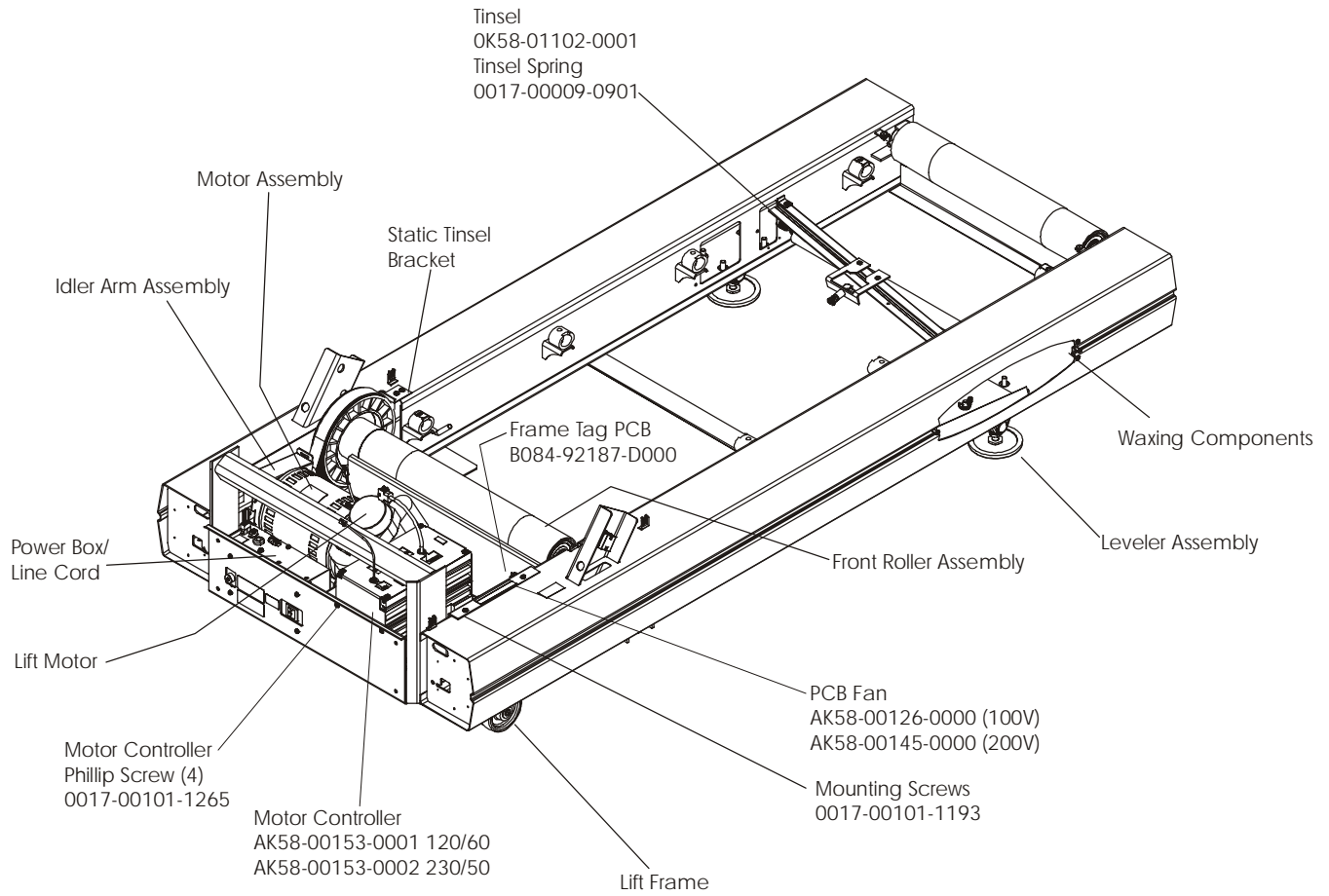
# TR95 Treadmill General Assembly

TR95S-0070-30



# TR95 Treadmill Frame Assembly Components

TR95S-0070-30

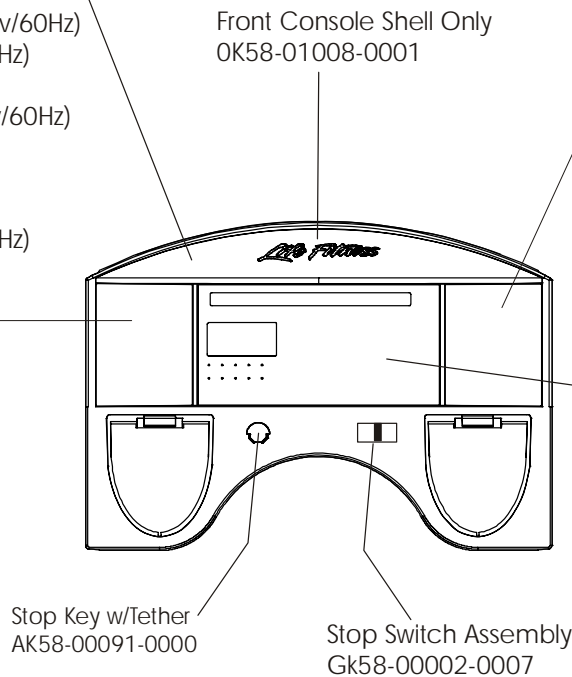


# TR95 Treadmill Console (External View)

TR95S-0070-30

- Console Assembly
- AK58-00056-0001 Eng/Met
- AK58-00056-0003 Ger/Met
- AK58-00056-0004 Spn/Met/Eur (120v/60Hz)
- AK58-00056-0005 Frn/Met (230v/50Hz)
- AK58-00056-0006 Jap/Met
- AK58-00056-0007 Frn/Met/Eur (120v/60Hz)
- AK58-00056-0008 Itl/Met
- AK58-00056-0009 Dut/Met
- AK58-00056-0010 Por/Met
- AK58-00056-0011 Frn/Met (230v/50Hz)

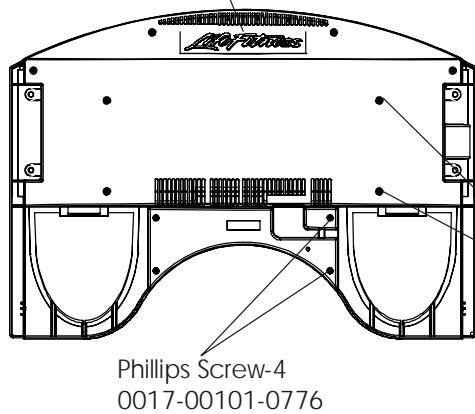
- Workout Profiles
- OK58-01214-0001 Eng/Met
- OK58-01214-0003 Ger/Met
- OK58-01214-0004 Spn/Met/Eur
- OK58-01214-0006 Jap/Met
- OK58-01214-0007 Frn/Met/Eur
- OK58-01214-0008 Itl/Met
- OK58-01214-0009 Dut/Met
- OK58-01214-0010 Por/Met



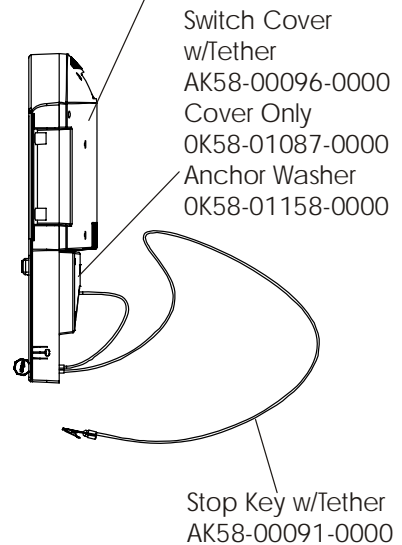
- Zone Training Overlay
- OK58-01213-0001 Eng/Met
- OK58-01213-0003 Ger/Met
- OK58-01213-0004 Spn/Met/Eur
- OK58-01213-0006 Jap/Met
- OK58-01213-0007 Frn/Met/Eur
- OK58-01213-0008 Itl/Met
- OK58-01213-0009 Por/Met
- OK58-01213-0010 Dut/Met

- Tray/Switch w/Overlay Assy
- AK58-00160-0001 Eng/Met
- AK58-00160-0003 Ger/Met
- AK58-00160-0004 Spn/Met/Eur
- AK58-00160-0006 Jap/Met
- AK58-00160-0007 Frn/Met/Eur
- AK58-00160-0008 Itl/Met
- AK58-00160-0009 Dut/Met
- AK58-00160-0010 Por/Met

- Rear Console Decal
- OK58-01129-0000

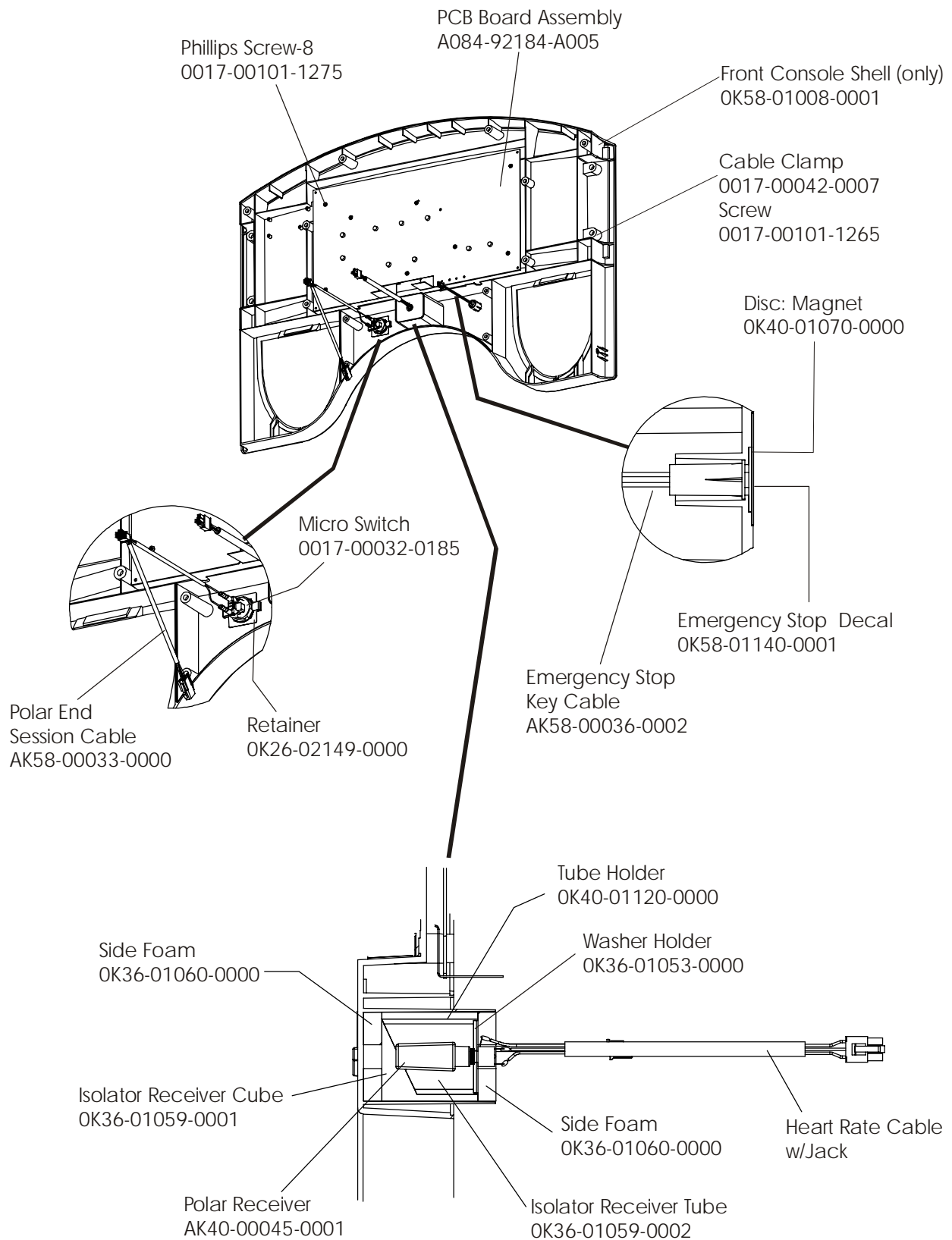


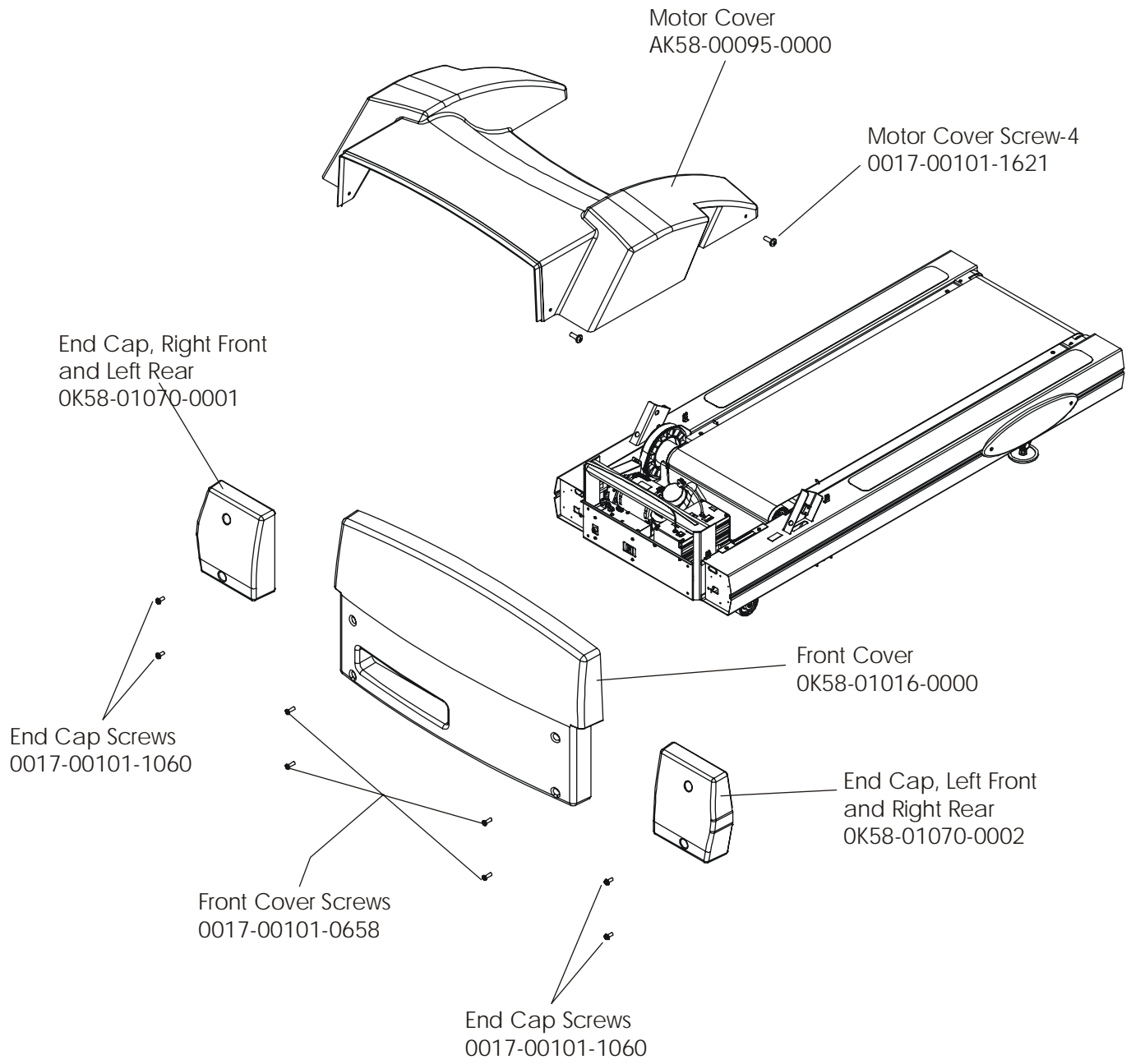
- Rear Console
- OK58-01009-0000



**TR95 Treadmill  
Console (Internal View)**

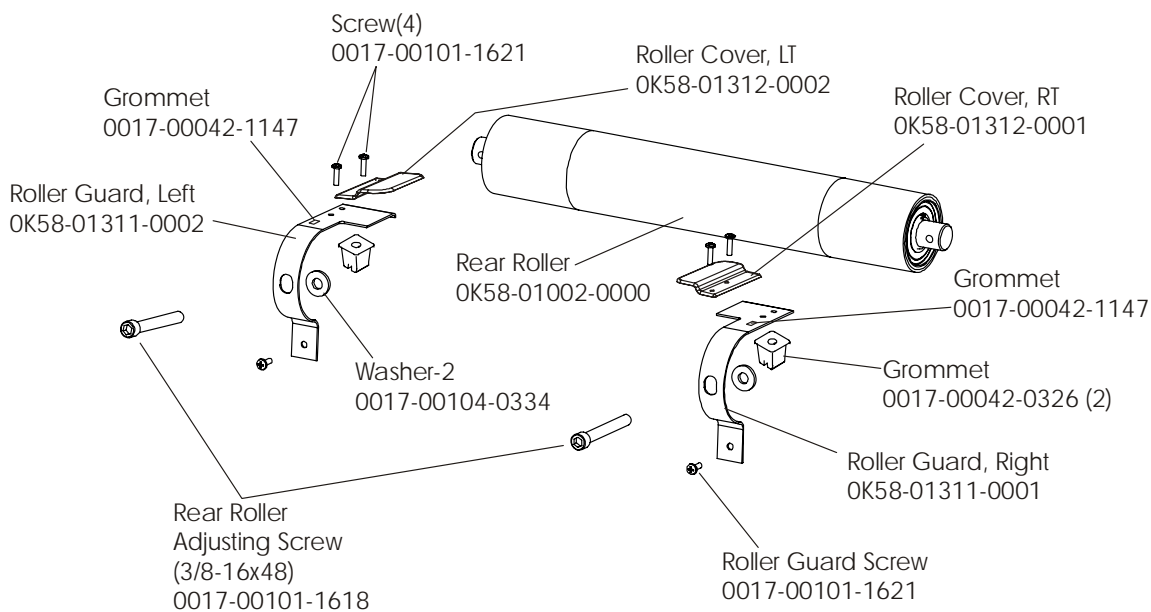
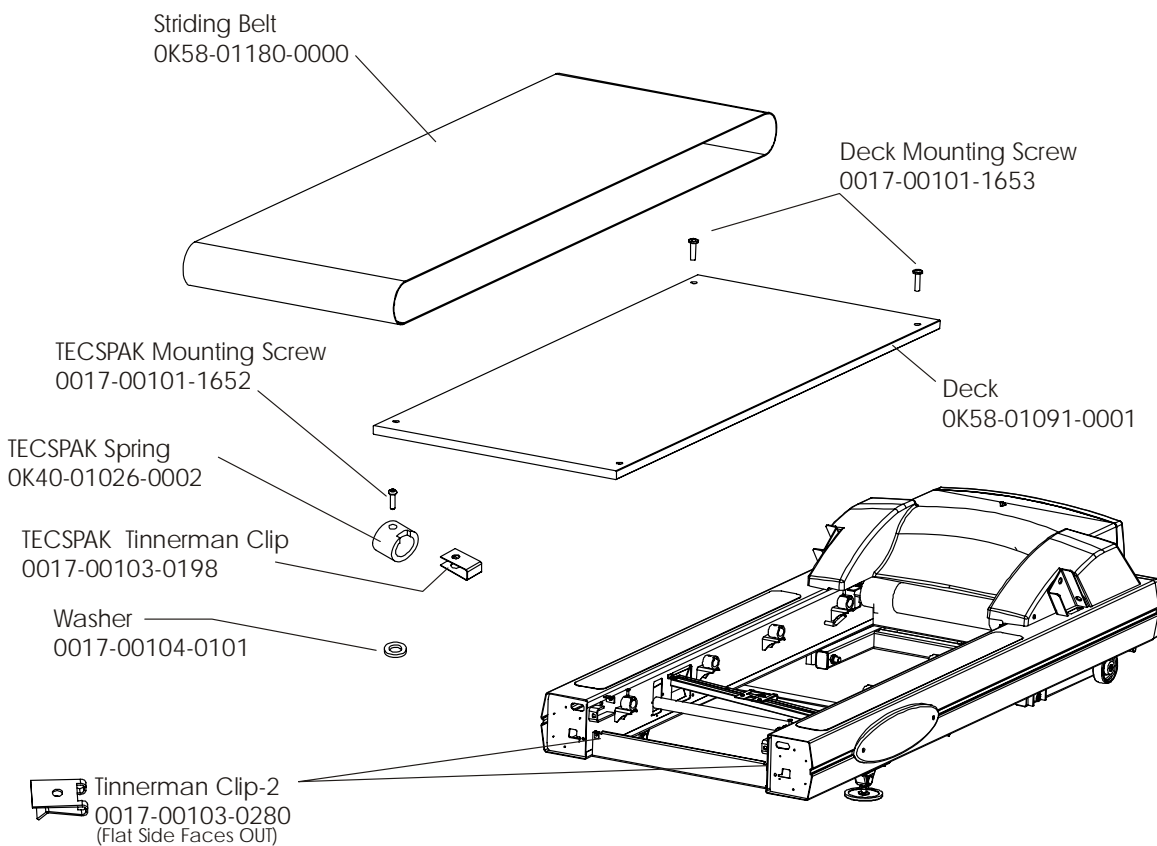
**TR95S-0070-30**





# TR95 Treadmill Belt, Dek, Rear Roller

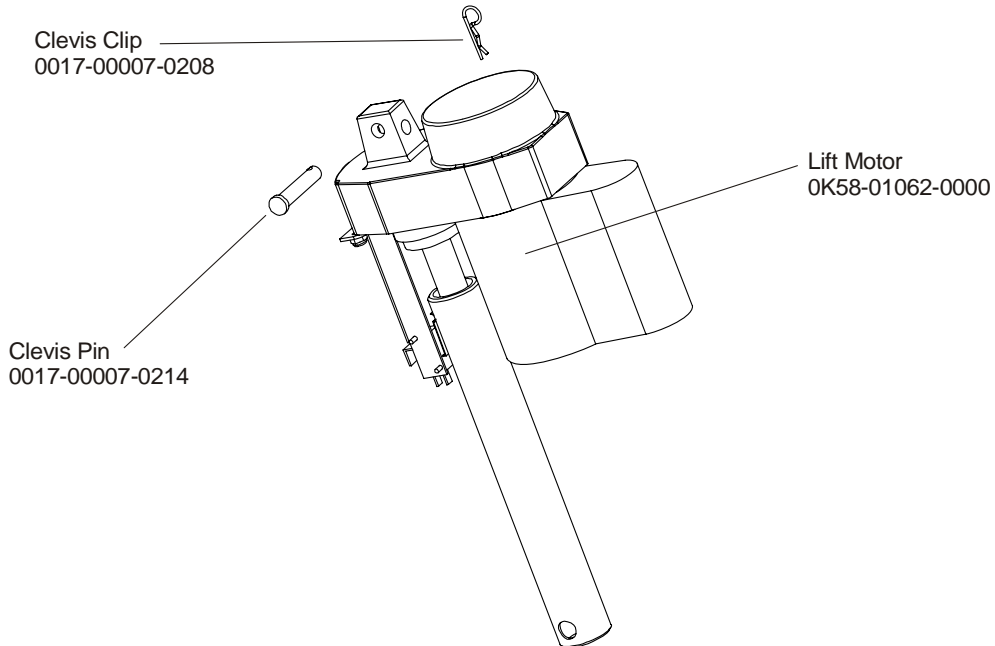
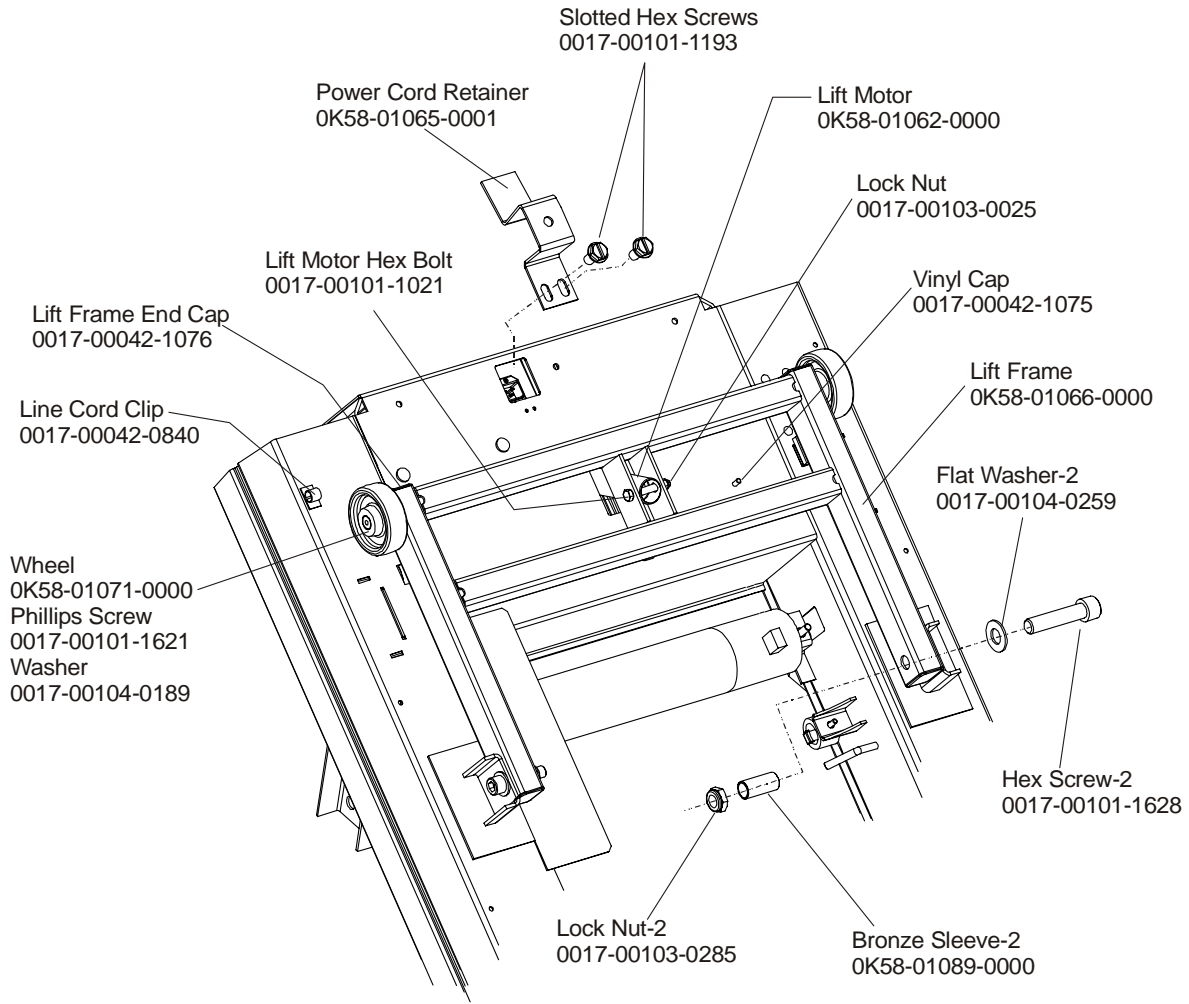
TR95S-0070-30



**IMPORTANT:** Components can be ordered separately with Serial Numbers above:  
 TR9100 HTN102105-Above, TR9500 HTM105585-Above, and TR9700 HTP100531-Above.  
 Use the appropriate Roller Guard Kit: GK58-00002-0056 for TR91/95, and GK58-00002-0057 for Tr97 with  
 Serial Numbers: TR9100 HTN102105-Below, TR9500 HTM105585-Below, and TR9700 HTP100531-Below.

# TR95 Treadmill Lift Motor and Lift Frame

TR95S-0070-30

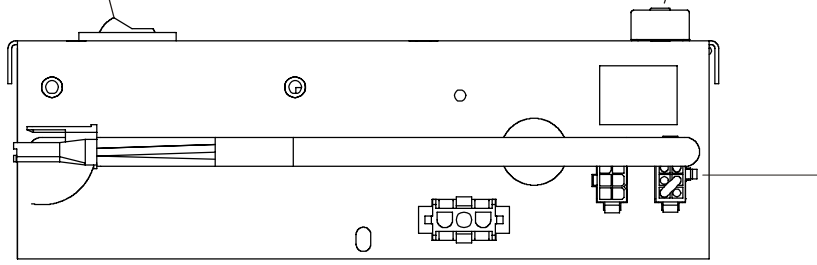


**TR95 Treadmill**  
**Power Box Assembly**

**TR95S-0070-30**

ON/OFF Power Switch  
 0017-00032-0198

Circuit Breaker 4-AMP  
 0017-00003-0950



TOP VIEW

Transformer (EURO Only)  
 0017-00003-0905

Phillips Pan Head Screw  
 0017-00101-0162

Phillips Pan Head Screw  
 0017-00101-1182

Transformer Bracket  
 OK58-00120-0004

Jumper Line

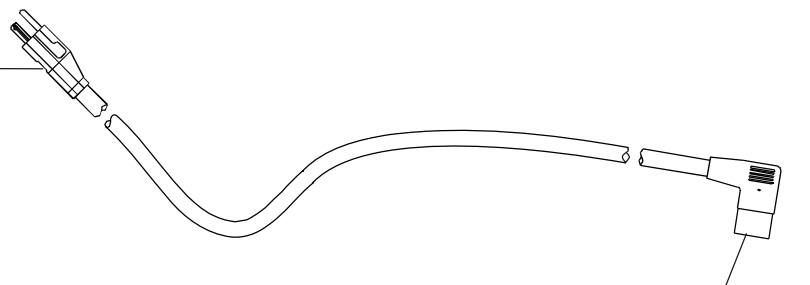
- AK58-00120-0004 - 240V
- AK58-00120-0003 - 230V
- AK58-00120-0002 - 200V
- AK58-00120-0001 - 100V
- AK58-00120-0000 - 120V

Power Box Assembly

- AK58-00176-0000 - 120V
- AK58-00183-0001 - 100V
- AK58-00183-0002 - 230-240V/50Hz
- AK58-00183-0003 - 200V
- AK58-00183-0004 - 220V/60Hz
- AK58-00183-0005 - 240V+ Continental

Line Cord (Plug End Changes)

- 0017-00003-0947 12' 120v Line Cord
- 0017-00003-0923 Domestic
- 0017-00003-0948 12' 220v Line Cord
- 0017-00003-0915 RT Angle Plug
- 0017-00003-0781 220v/60Hz
- 0017-00003-0696 Continental
- 0017-00003-0890 UK



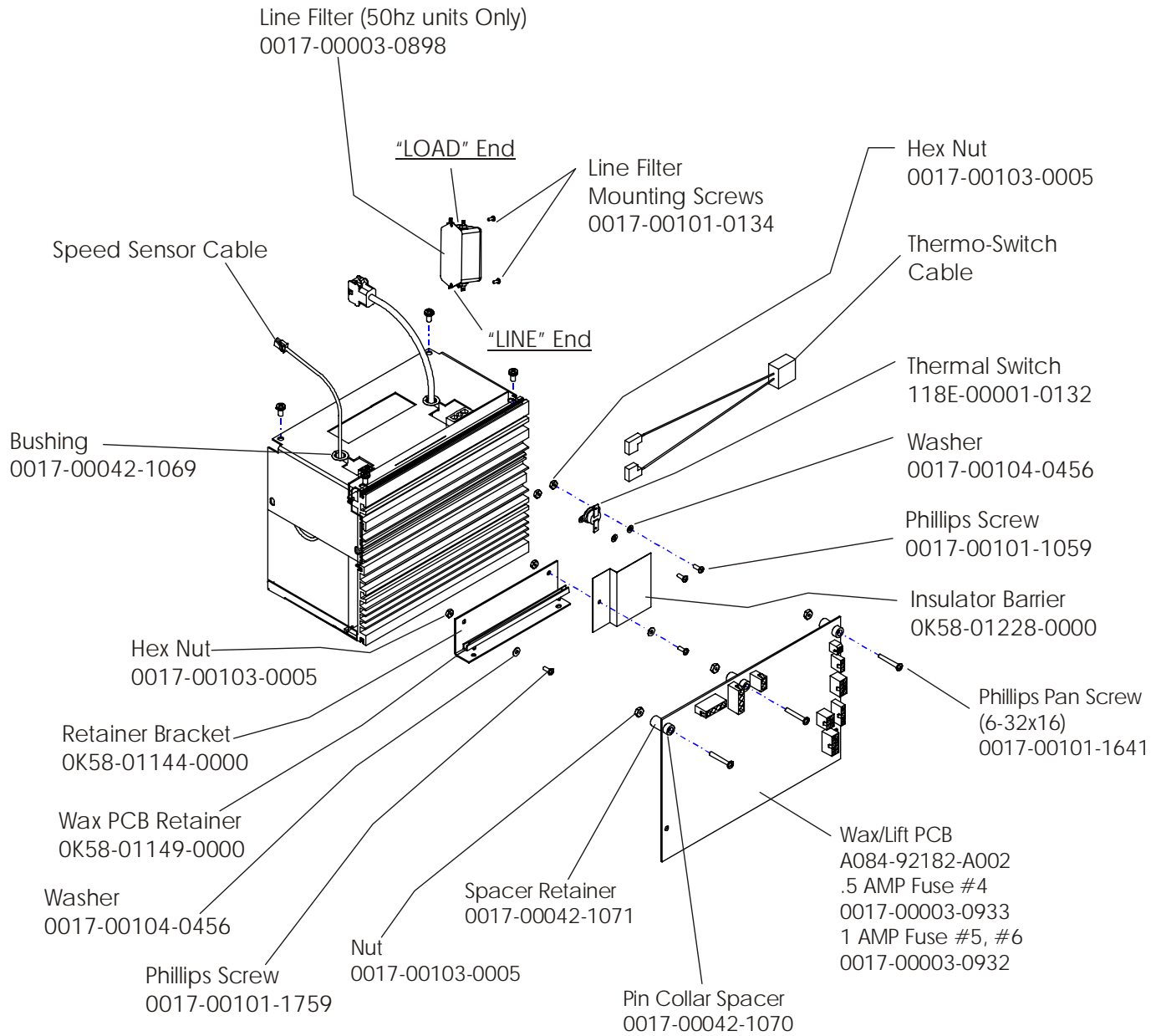
To Power Module

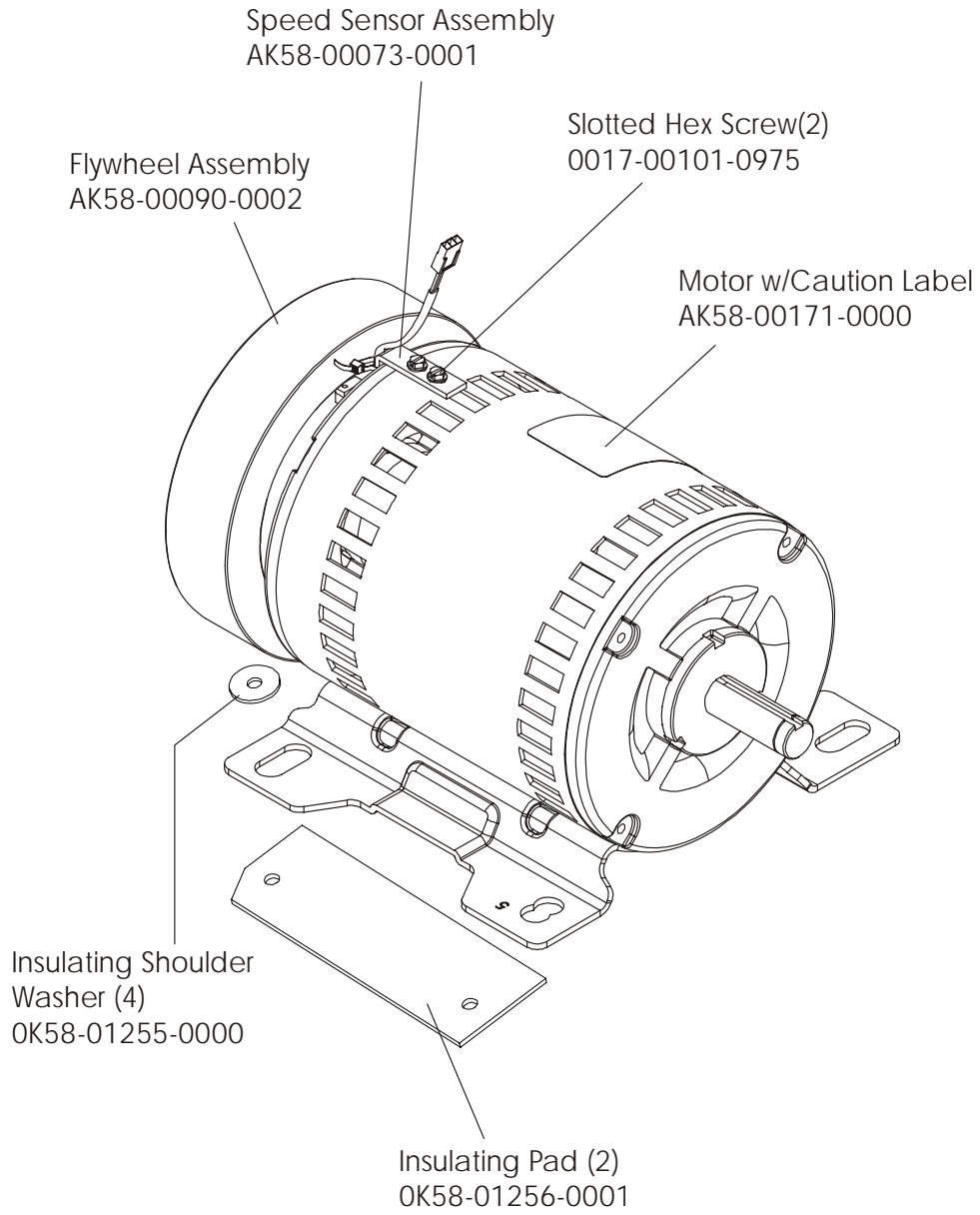


# TR95 Treadmill Motor Controller

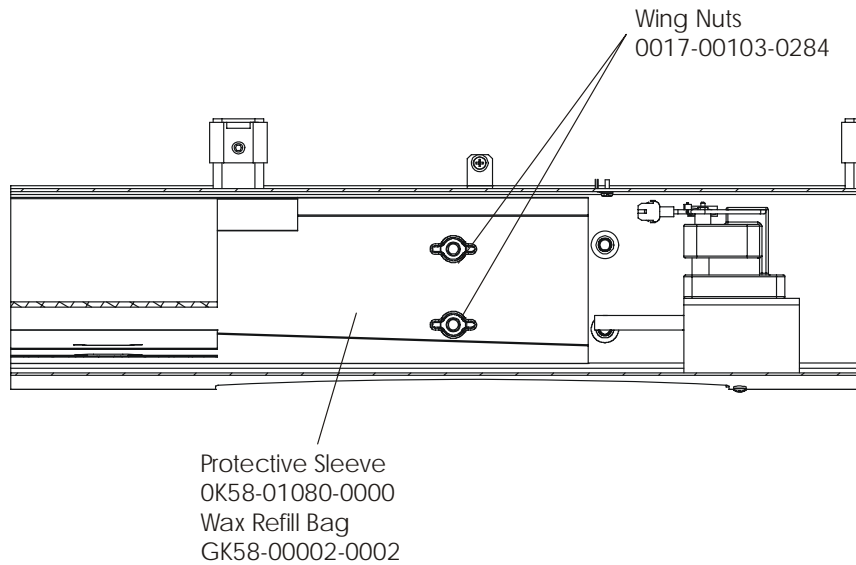
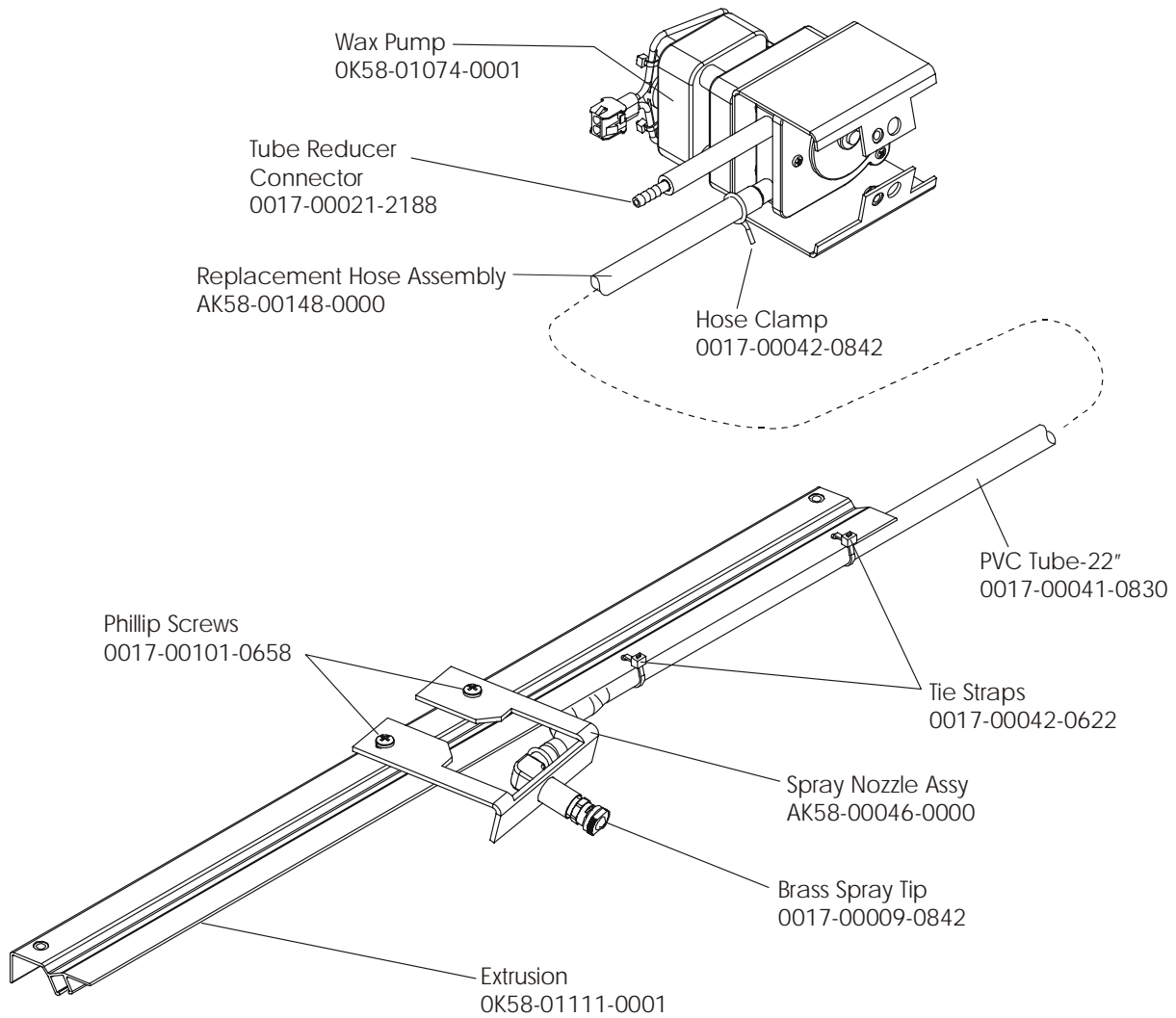
TR95S-0070-30

Wax Lift / Motor Controller  
AK58-00164-0001 120v  
AK58-00164-0002 230



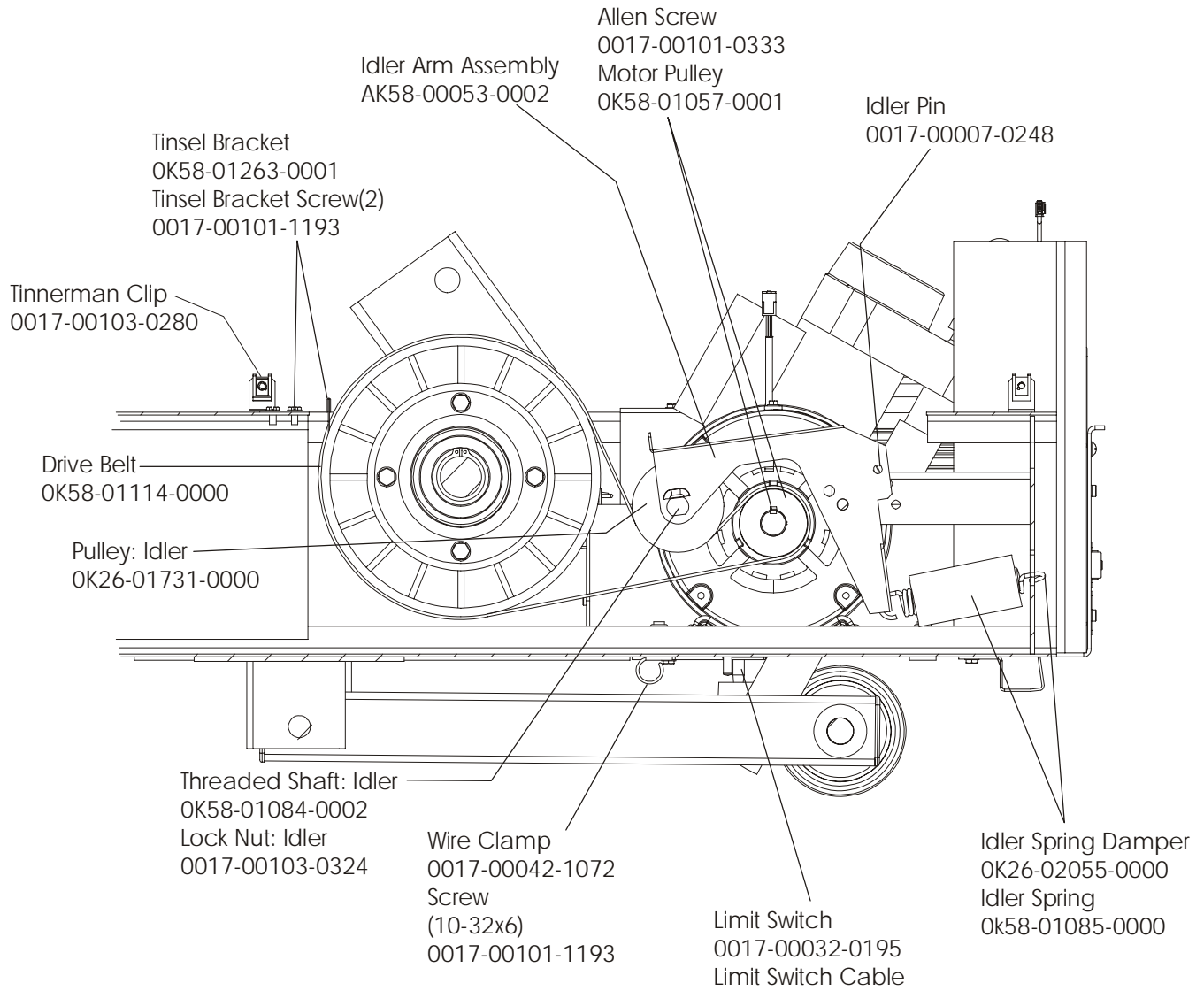


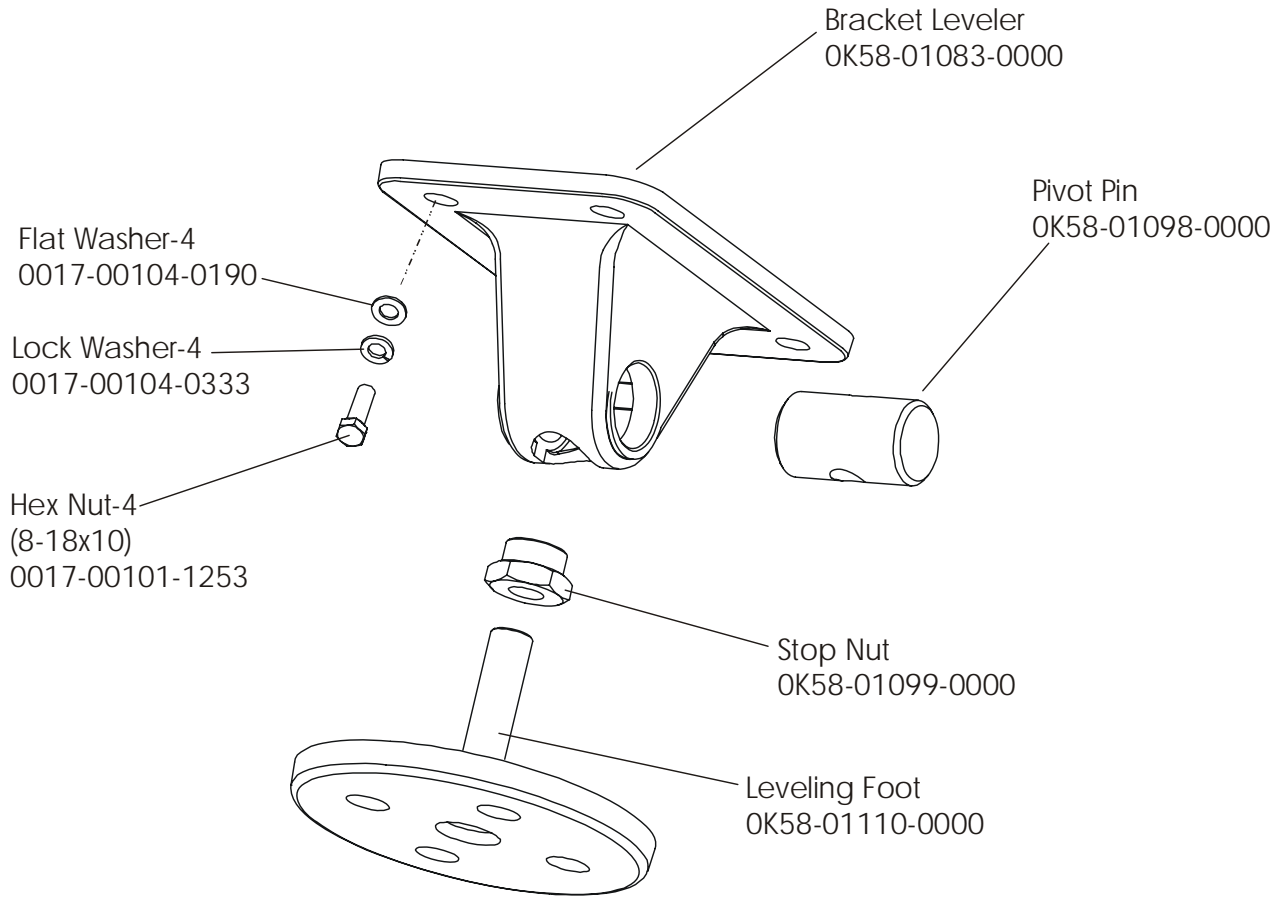
Description	Part No.
Dual Fan Assembly	AK58-00139-0000
Fan Power Cable	AK58-00134-0001
Thermal Switch Assembly	AK58-00140-0000
Motor Grommet	0017-00042-1080



**TR95 Treadmill  
Idler Arm Assembly**

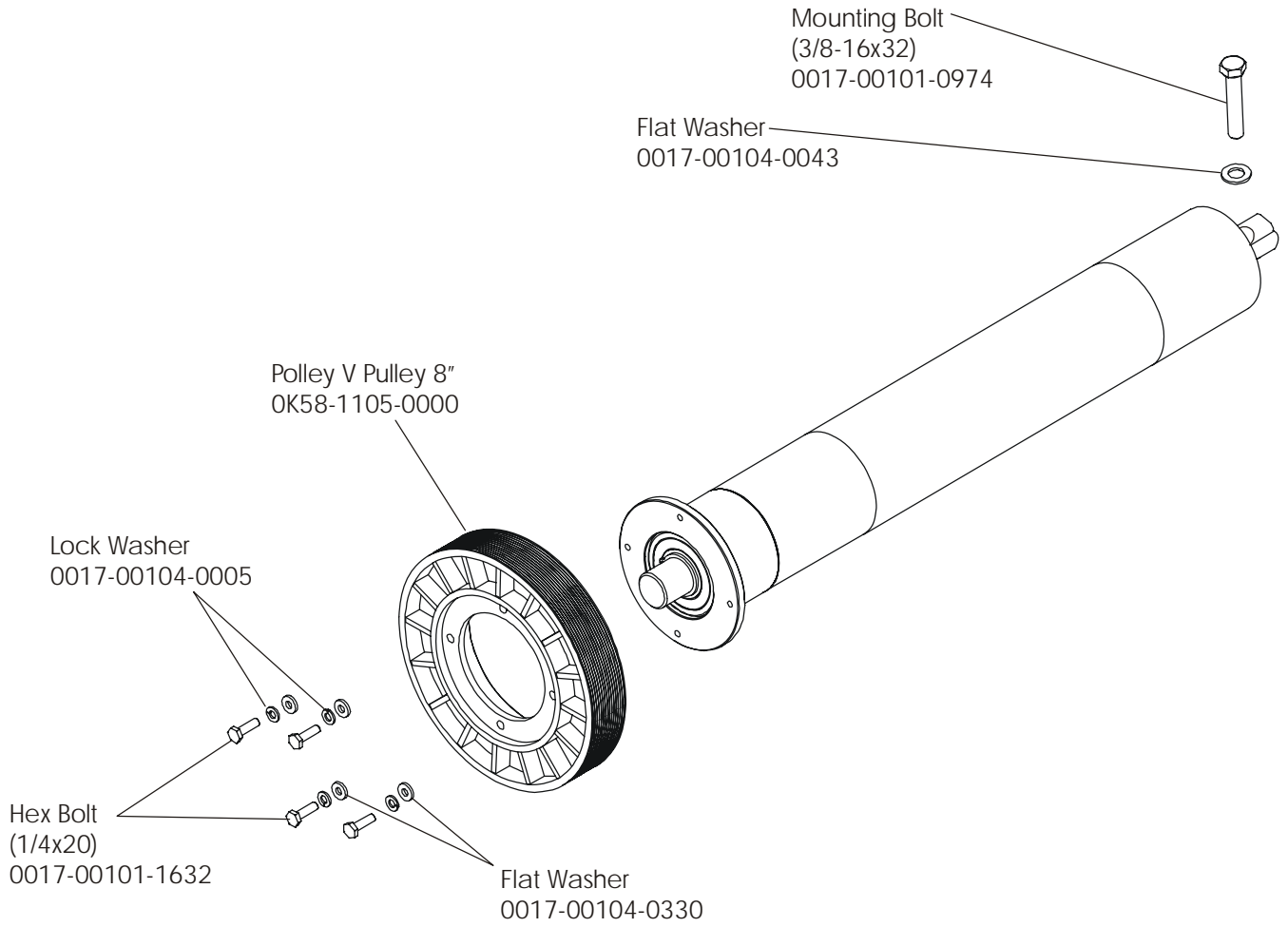
**TR95S-0070-30**

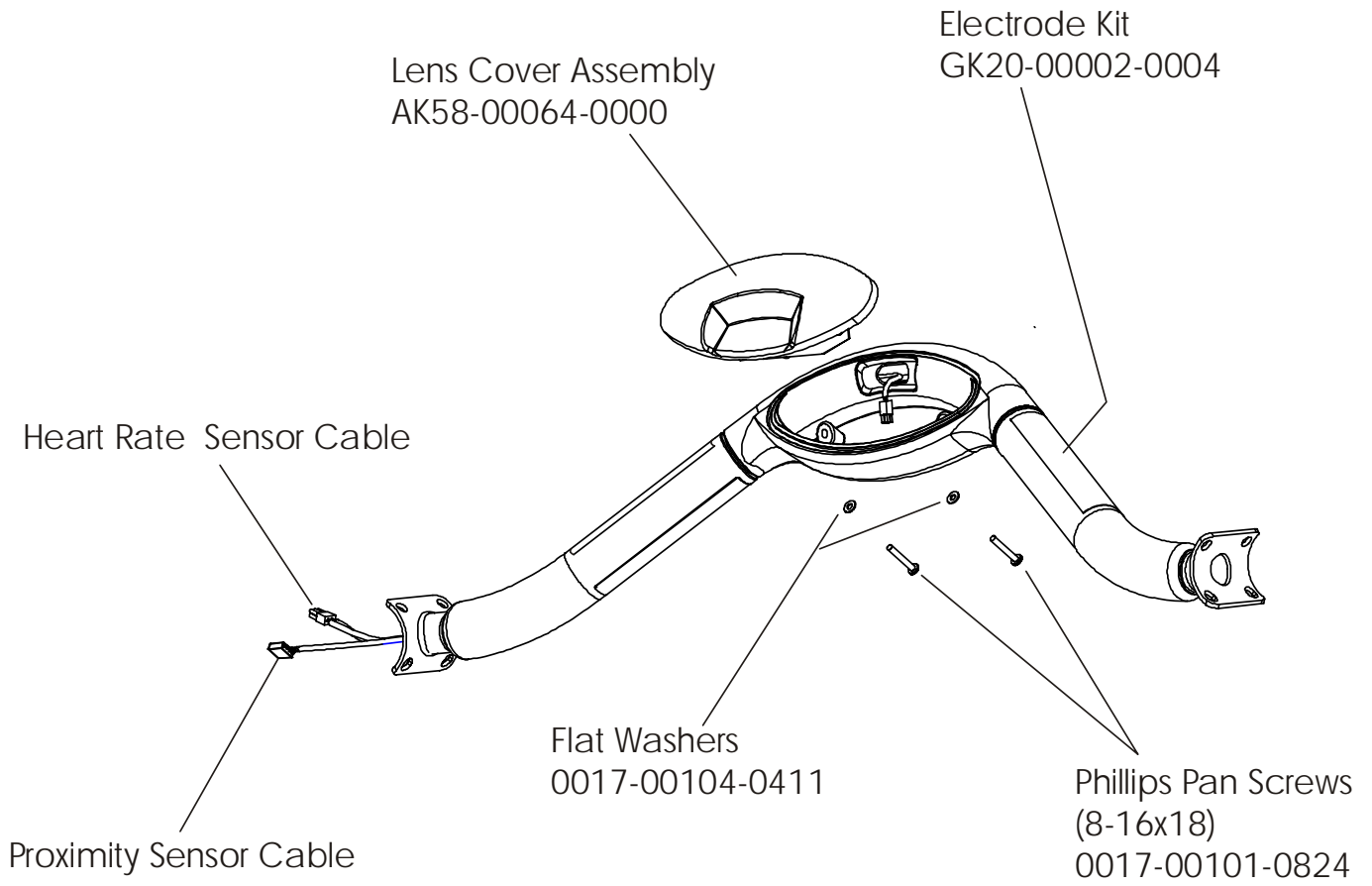


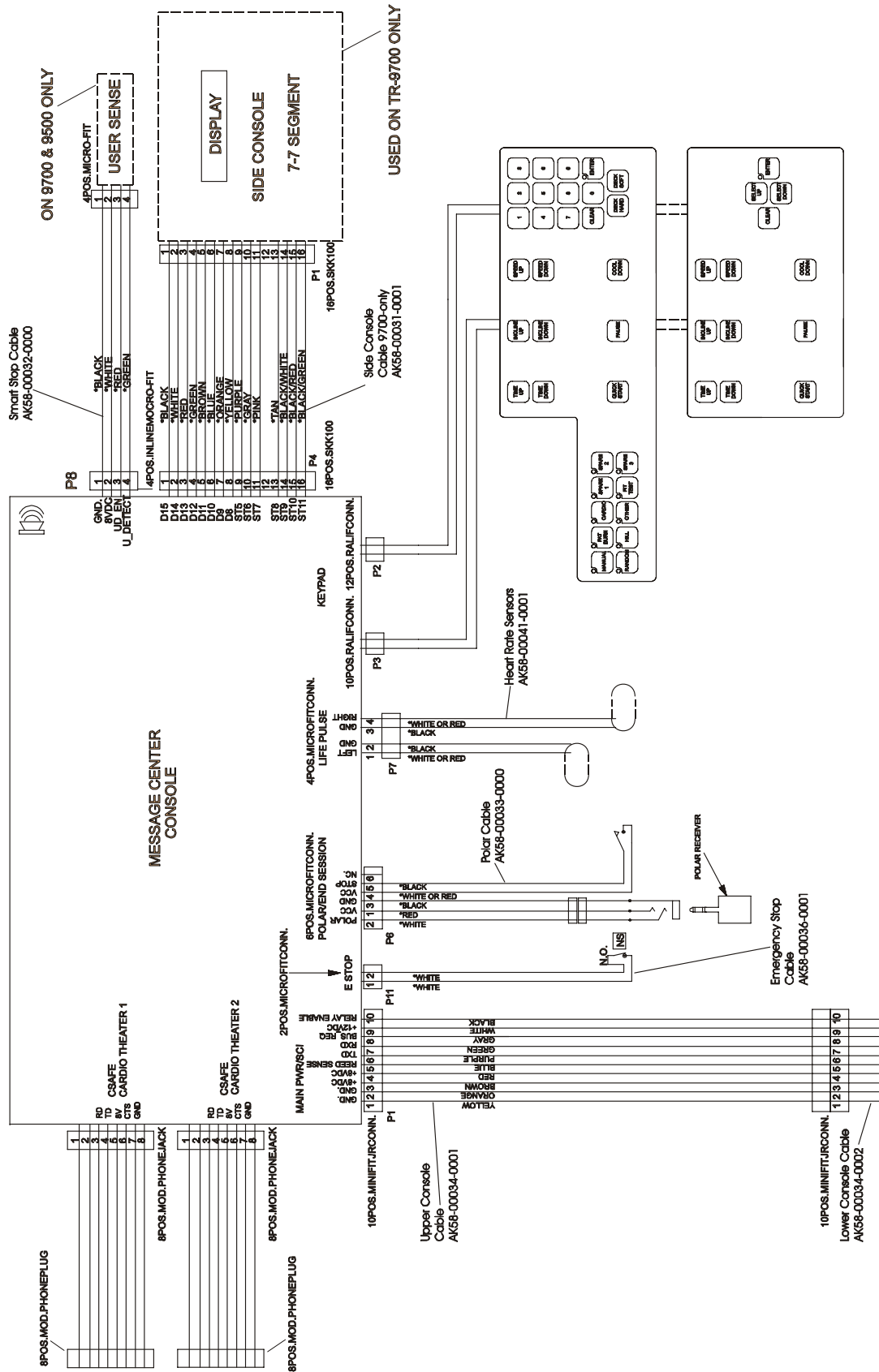


**TR95 Treadmill**  
**Front Roller Assembly – AK58-00066-0000**

**TR95S-0070-30**

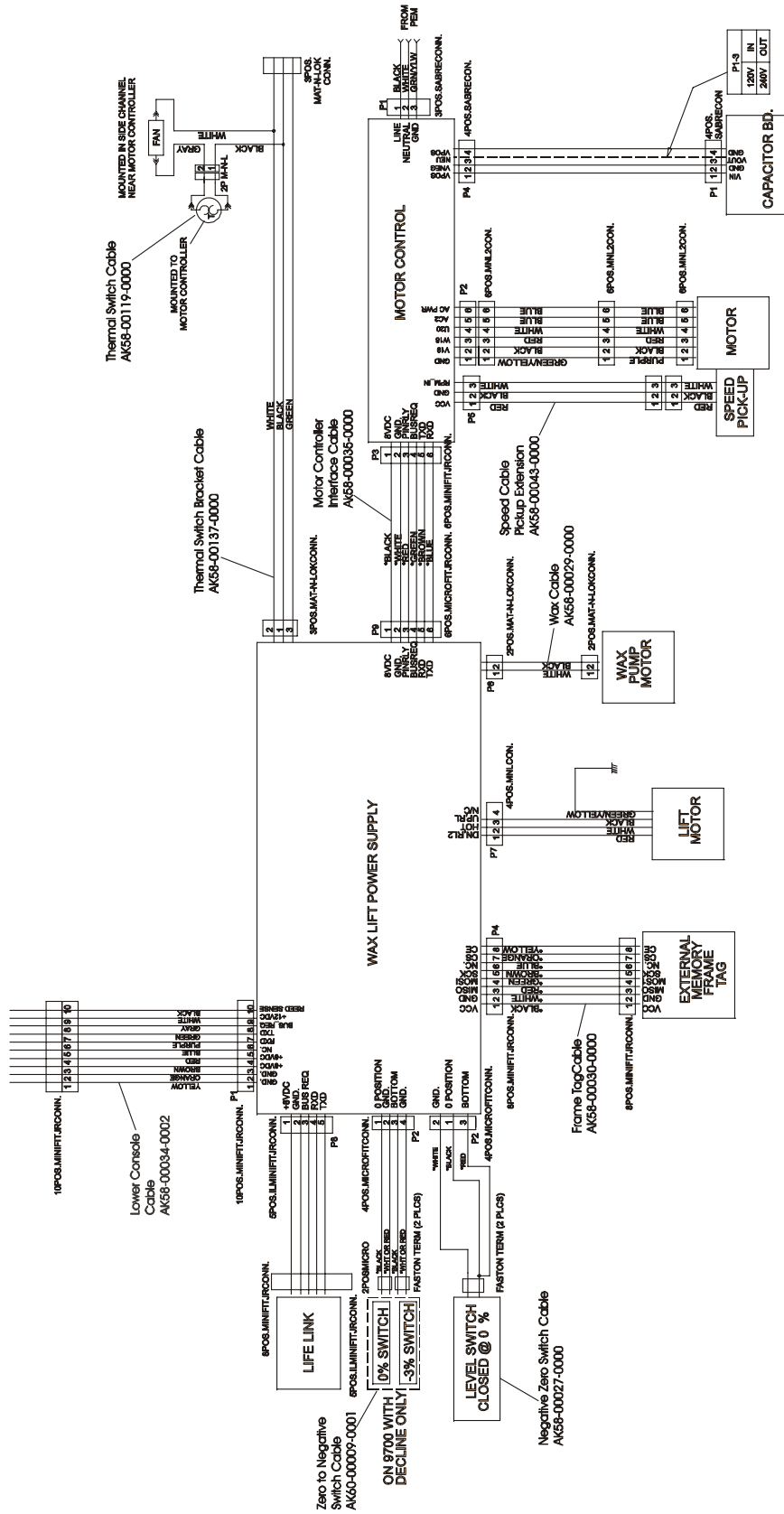




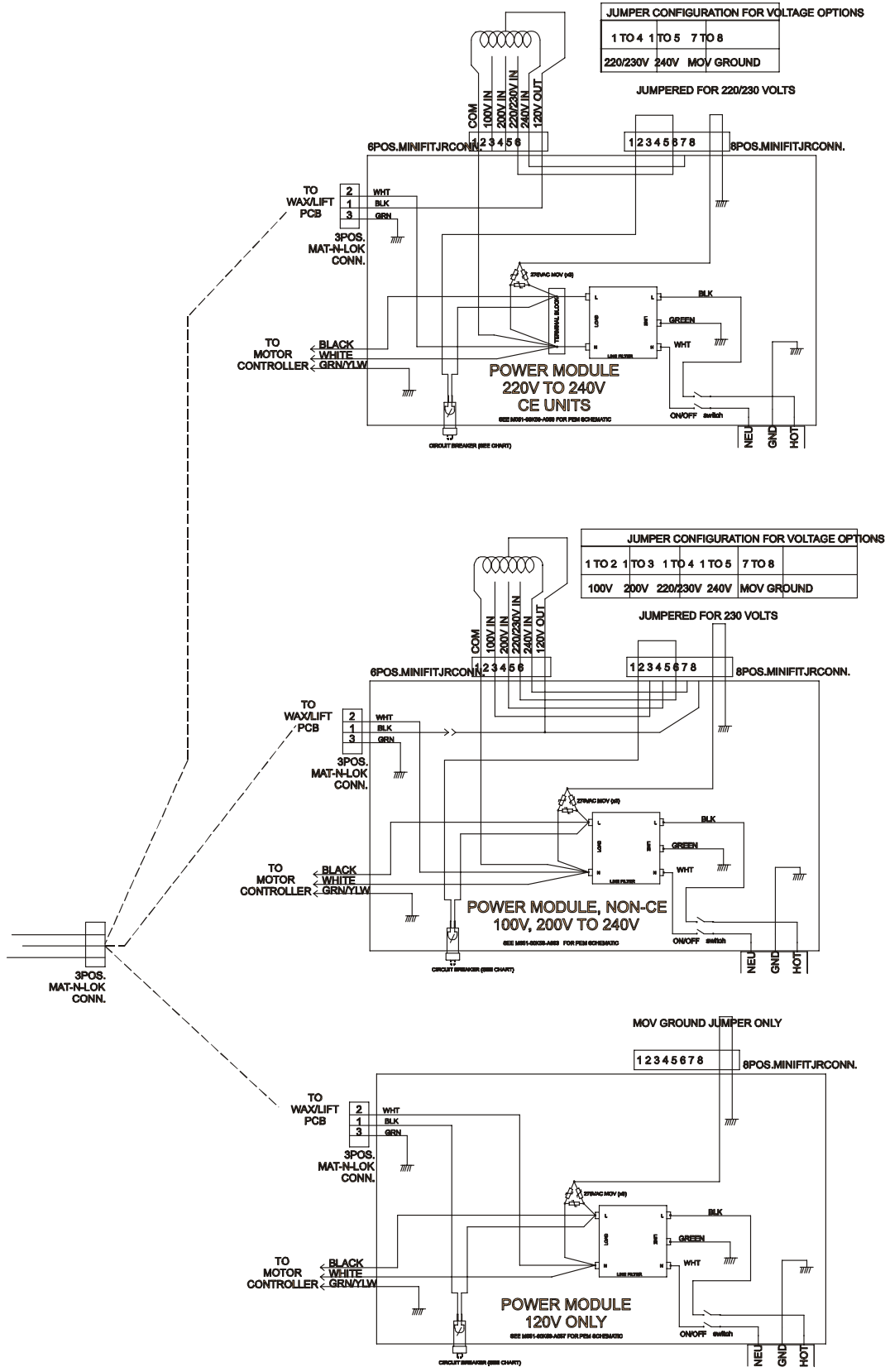


Message Center Console





WAX LIFT POWER SUPPLY



**Power Modules**